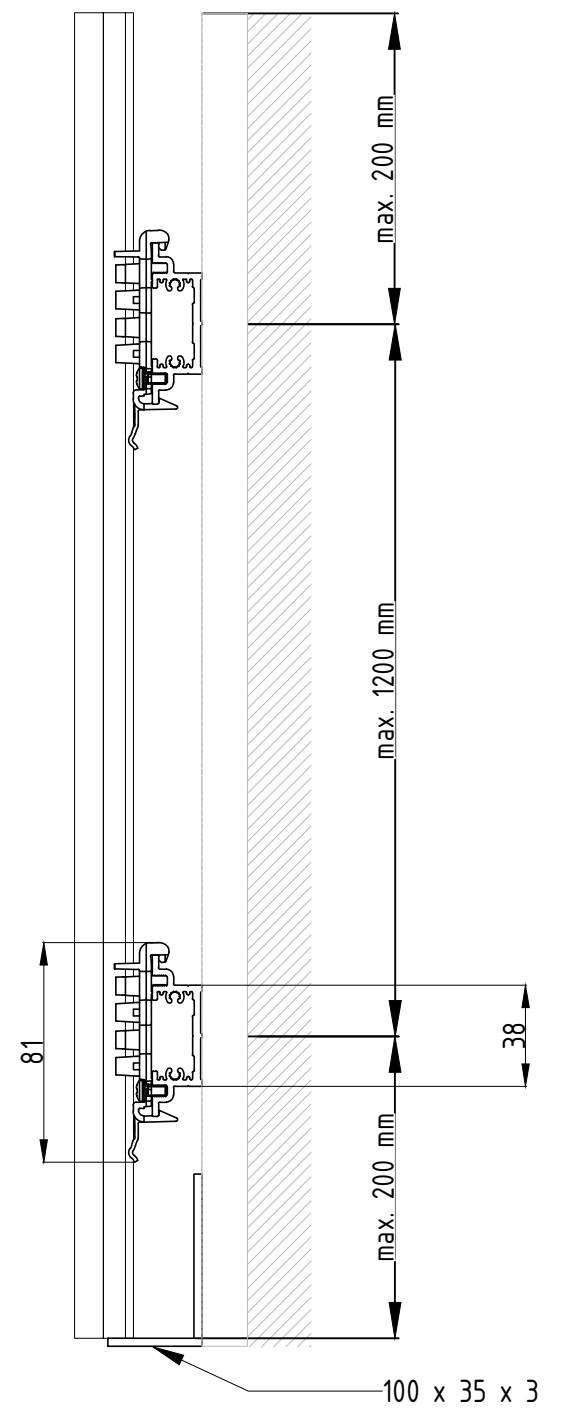
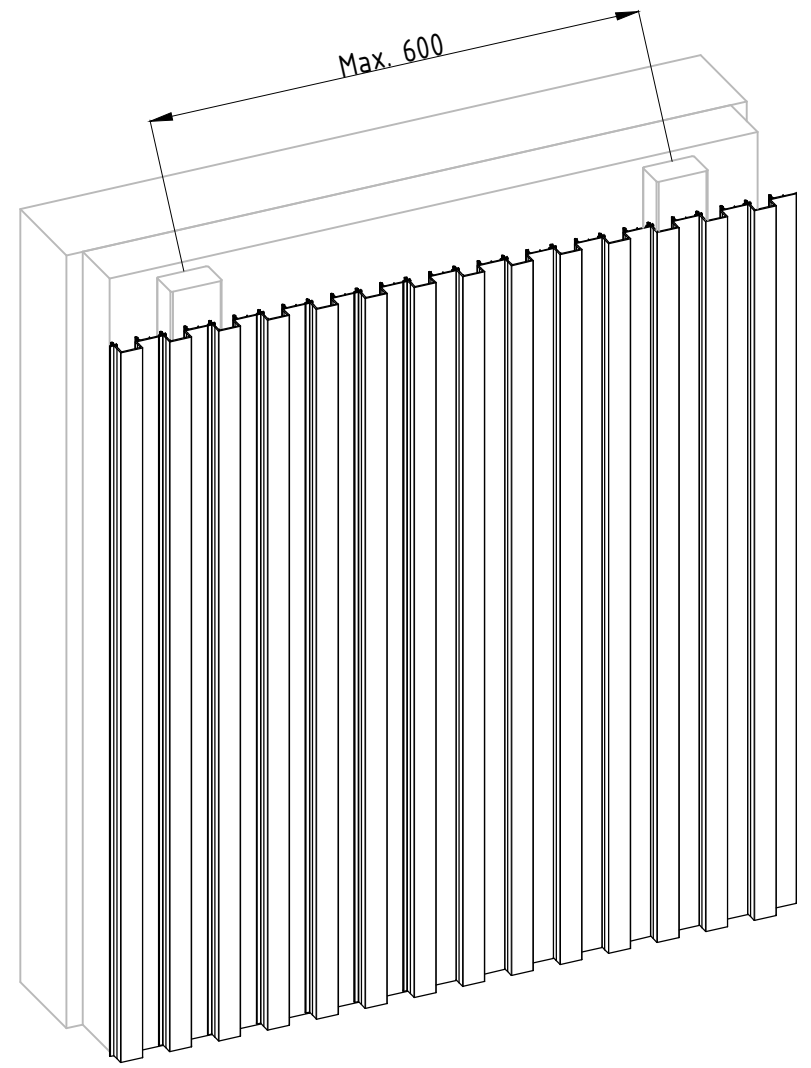
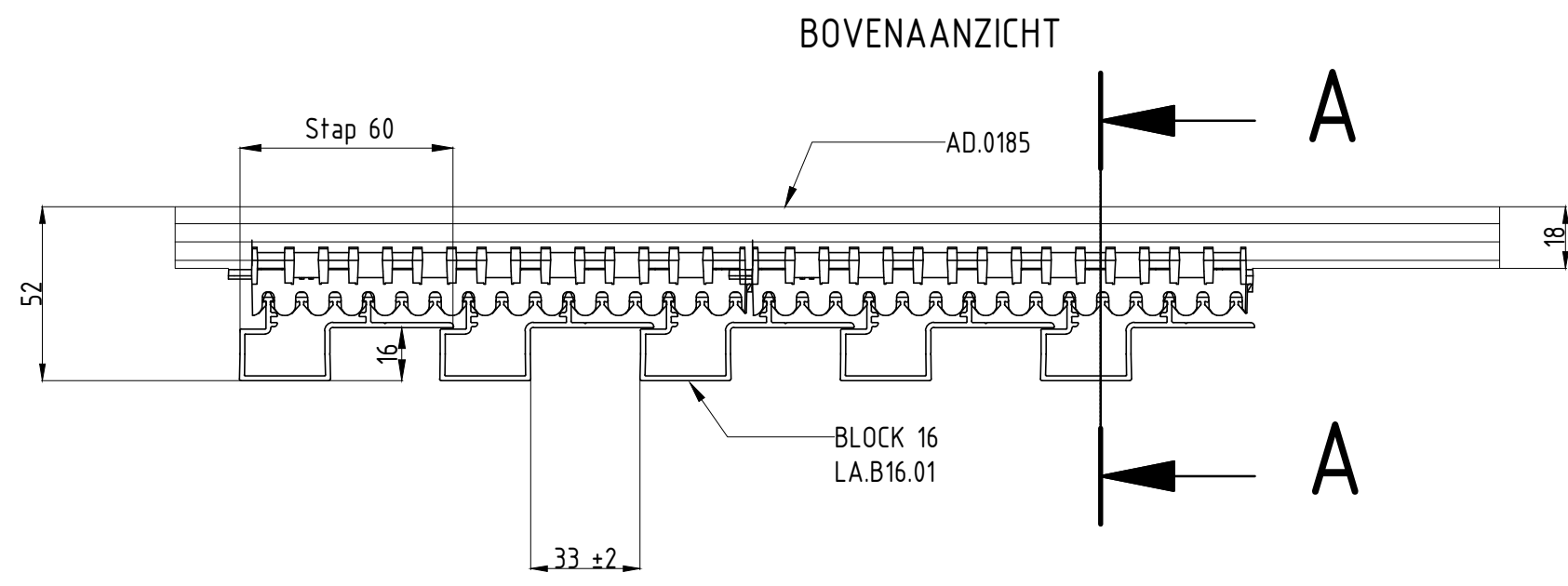


This drawing is property of NV RENSON, and may not be copied or shown to thirds without written permission.



Doorsnede A-A

 Industriezone "Flanders field" 8790 Waregem (Belgium) Tel. 056/62.71.11 Fax. 056/60.28.51	Drawn by jcat	Date 26/06/2018	Scale 1/8
	Linarte® Block 16		Version 1
	PRODUCTFICHE		Page 1/1